



EMI/RFI SMD Filters in Pi & C Circuit

Key Features

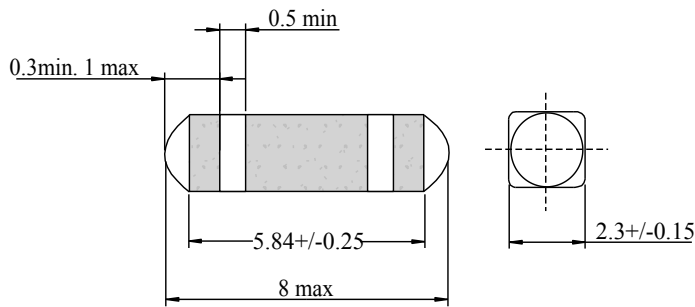
- Square shaped for easy placement & soldering
- RoHs Compliant
- Rated to 10A
- Packed in tape & reel or bulk form
- High temperature construction



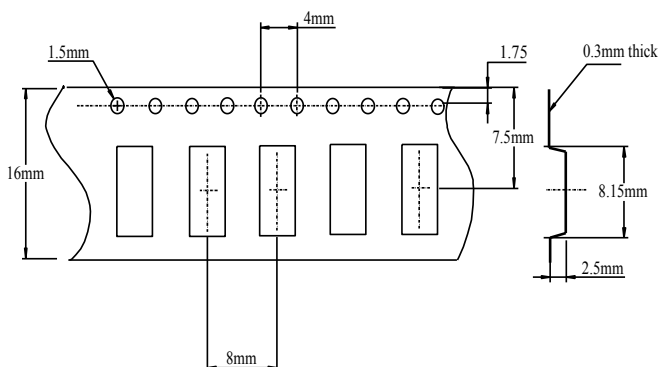
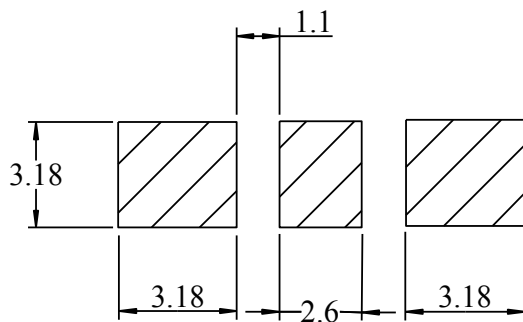
Typical Applications

- Telecommunication equipment
- Computer & peripheral equipment
- Digital AV equipment
- Power amplifiers & supplies
- High Current BUS lines

Dimensions (mm)



Recommended solder footprint



Technical Specifications

Working Voltage	250 VDC
Test Voltage	625 VDC
Current	20A C version: 10 A Pi version
Insulation resistance	>10GΩ
Operating temperature	-55°C to +125°
Soldering Conditions	Max 250°C , 5 sec

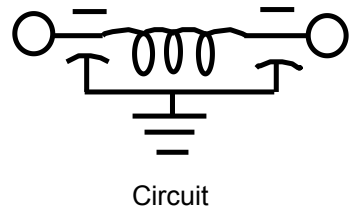
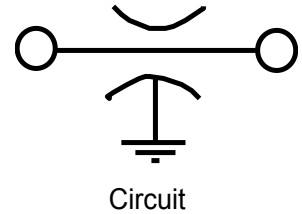
Min Insertion Loss Data at 25 C (no load)

Circuit	Capacitance (pF)	10 MHz	100MHz	1GHz
C	100	–	3	18
C	470	–	12	27
C	1000	3	20	35
C	1500	5	22	37
C	2500	10	25	40
C	4000	15	30	45
Pi	100	–	3	16
Pi	470	1	16	40
Pi	1000	7	40	65
Pi	2000	10	45	70
Pi	4000	13	52	70



EMI/RFI SMD Filters in Pi & C Circuit

Circuit	Capacitance (pF)	Tolerance	Part Number
C	100	+80%-20%	FS-SMD2-102-C-T*
C	470	+80%-20%	FS-SMD2-472-C-T
C	1000	+80%-20%	FS-SMD2-103-C-T
C	1500	+80%-20%	FS-SMD2-153-C-T
C	2500	+80%-20%	FS-SMD2-253-C-T
C	4000	+80%-20%	FS-SMD2-403-C-T
Pi	100	+80%-20%	FS-SMD-102-P-T
Pi	470	+80%-20%	FS-SMD2-472-P-T
Pi	1000	+80%-20%	FS-SMD2-103-P-T
Pi	2000	+80%-20%	FS-SMD2-203-P-T
Pi	4000	+80%-20%	FS-SMD2-403-P-T



* If parts are required to be supplied in bulk please replace the T at the end of the part number in the above table with B.

Please Note:

Additional capacitance values are available upon request. Please contact [Filtek](http://www.filtek.com) for details.